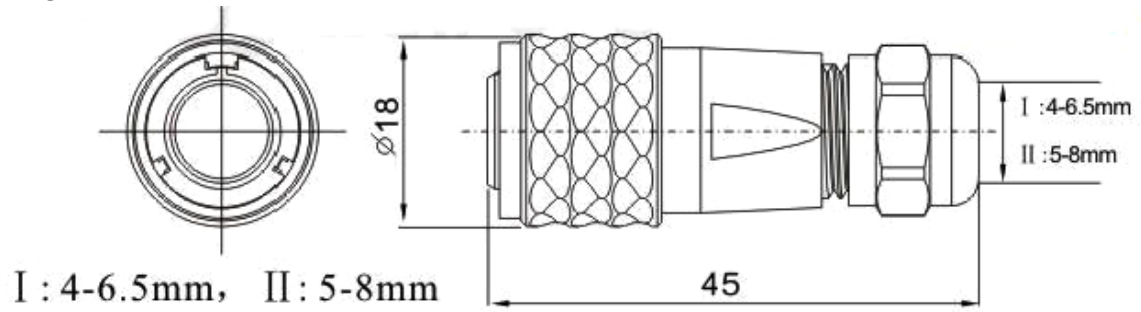
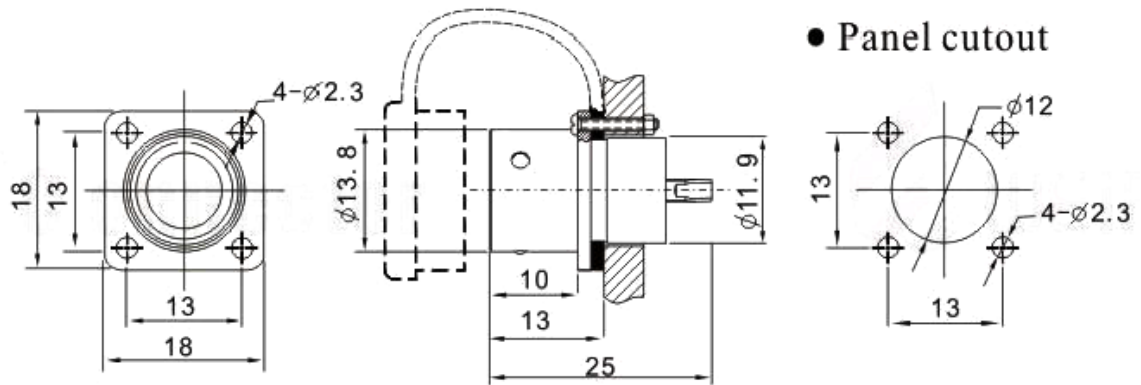


Drawing for P2CON-WR-3

Plug



Panel Mount Socket



Unit: mm